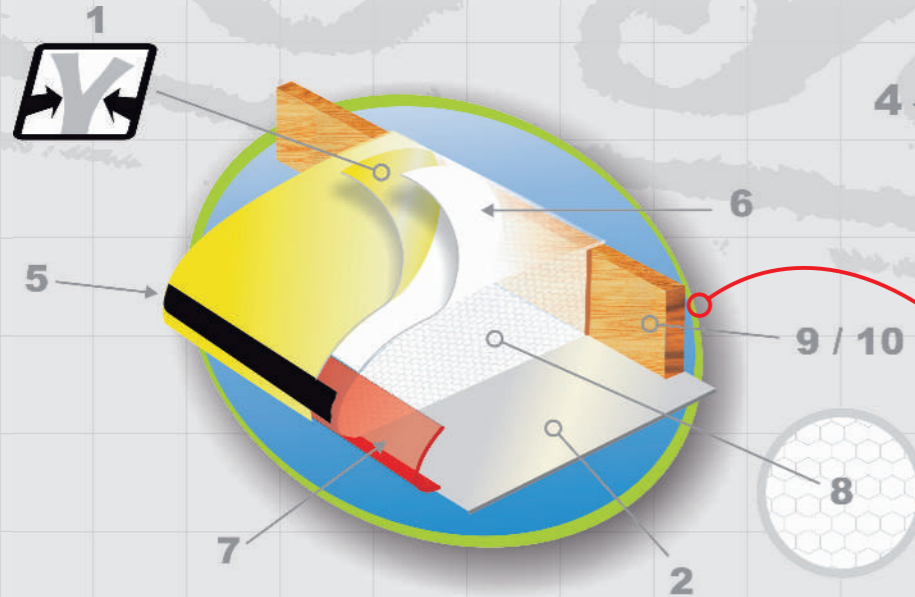


COMPARISONS

COMPARACIONES

Between the HD School, Element and PRO models

Entre las tablas HD School, Element y Pro



- | | SCHOOL | ELEMENT | PRO |
|--|--------|---------|-----|
| 1. Anti-delaminating vinyl cover: it's thermo-sealed, preventing the board's edges from coming unglued. This Hi-Tec patented cover expands when exposed to heat and then contracts back to its normal state, solving any delamination problems. | ● | ● | ● |
| 2. Reinforced vinyl cover (bottom 8 mm): more resistant to scratches and punctures. | ● | ● | ● |
| 3. Urethane leash: included with all Element board series. | ● | ● | ● |
| 4. Nose and tail protector (included): provide more protection and assurance when surfing. | ● | ● | ● |
| 5. PVC protector along the outline: provides more protection around the board's edges. | ● | ● | ● |
| 6. Reinforced deck: protects against bumps, avoiding deformations when standing on the board. | ● | ● | ● |
| 7. Protected rails: protects against bumps and avoids dings. | ● | ● | ● |
| 8. Sealed cell EPS foam: does not absorb water, environmentally friendly and extremely lightweight, reinforced with a very resistant stringer. | ● | ● | ● |
| 9. Wooden stringer: very resistant, sealed with epoxy glue throughout the board for demanding surf conditions. | ● | ● | ● |
| 10. Wooden stringer: lighter and reinforced. | ● | ● | ● |
| 11. Flexible fins: for more safety.
Semi-flexible fins: offer more traction. | ● | ● | ● |
| 12. PRO shape: for advanced surfing.
Higher rails: provide more stability when surfing. | ● | ● | ● |
| One Year warranty: any factory defect or materials failure | ● | ● | ● |

- | | SCHOOL | ELEMENT | PRO |
|---|--------|---------|-----|
| 1. Cubierta de Vinyl Anti-deslaminación: es termo-sellada y evita que se despeguen los bordes de la tabla. Esta cubierta HI-Tec patentada, tiene la facilidad de expandirse con el calor del sol y luego contraerse a su estado normal, resolviendo así los problemas de des-laminación. | ● | ● | ● |
| 2. Cubierta de Vinilo reforzada: (fondo de 0.8 mm) es mas resistente a las rasgadas. | ● | ● | ● |
| 3. Pita de uretano: incluida en todas las Element Series. | ● | ● | ● |
| 4. Protectores de punta y cola incluidos: ofrecen mas protección y confianza a la hora de correr. | ● | ● | ● |
| 5. Protector de PVC en todo el borde: se obtiene mas seguridad alrededor de la tabla. | ● | ● | ● |
| 6. Cubierta Reforzada: protegida contra abolladuras, evitando así deformaciones al pararse. | ● | ● | ● |
| 7. Rieles protegidos: contra golpes para evitar quiñes. | ● | ● | ● |
| 8. Espuma interno de EPS de celda cerrada: no absorbe agua, es ecológico y muy liviano, está reforzado con un alma muy resistente. | ● | ● | ● |
| 9. Alma de madera: muy resistente, está sellada con pegamento epóxico a todo lo largo para condiciones de surf exigentes. | ● | ● | ● |
| 10. Alma de madera: mas liviana y reforzada. | ● | ● | ● |
| 11. Quillas flexibles: para mayor seguridad.
Quillas semi-duras: para mayor tracción. | ● | ● | ● |
| 12. PRO Shape: para un Surfing avanzado.
Rieles mas altos: para mayor estabilidad al pararse. | ● | ● | ● |
| Garantía 1 año: contra defectos de fabricación y materiales | ● | ● | ● |